

MARTIN™ MT 45 and MT 56

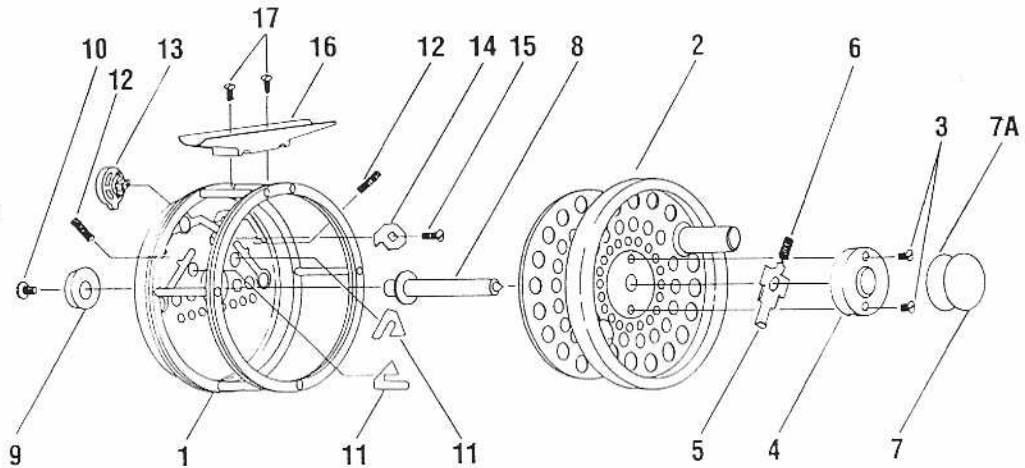
SPECIFICATIONS:

MT 45

30 yds. WF4F plus 100 yds. of 20# backing capacity
4.8 oz. Weight
3 1/8" Diameter
1 1/16" Spool Depth

MT 56

30 yds. WF6F plus 100 yds. of 20# backing capacity
5.0 oz. Weight
3 1/8" Diameter
1 3/16" Spool Depth



FEATURES:

- Single action
- Lightweight aluminum alloy frame
- Dual pawl adjustable drag.
Cam adjustable and easily converted for right/left hand retrieve
- Counter-balanced rim-control spool
- Machined, replaceable reel foot
- Five-year limited warranty

ReelSchematic

Key No.	MT 45 Part No.	MT 56 Part No.	Description	Price
2	F50	F51	Spool Assembly	12.65
3	RR130-10A	RR130-10A	Spool Lock Cap Screw	.20
4	251X-MP	251X-MP	Spool Lock Cap	1.20
5	XM050-01A	XM050-01A	Spool Lock	.80
6	253S	253S	Spool Lock Spring	.32
7	727S	727S	Medallion	1.03
7A	9501	9501	Glue Circle	.93
8	506P-01A	450-01C	Spindle	4.12
9	455-01A	455-01A	Spindle Cap	.88
10	RR130-07A	RR130-07A	Spindle Screw	1.00
11	756-CP	756-CP	Pawl	.54
12	510S	510S	Pawl Spring	.32
13	LC032-01A	LC032-01A	Drag Knob	.89
14	150-01ATP	150-01ATP	Drag Cam	1.00
15	RR130-06	RR130-06	Drag Cam Screw	.73
16	740-01B	740-01B	Reel Foot	5.20
17	RR130-05	RR130-05	Reel Foot Screw	.27

MODEL INTRODUCED	EFFECTIVE DATE OF PARTS LIST/DIAGRAM	Oct. 1996	DISCONTINUED	N/A
------------------	--------------------------------------	-----------	--------------	-----

Prices subject to change without notice. Prices do not include postage and handling.

PLEASE ORDER BY PART NUMBER Zebco Division Brunswick Corporation, Box 270, Tulsa, OK 74101 USA 918-831-6965

